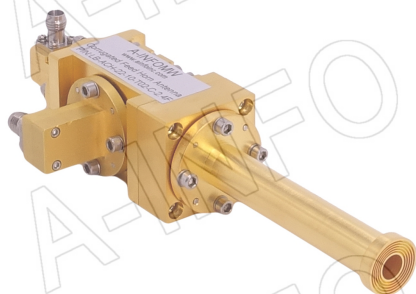


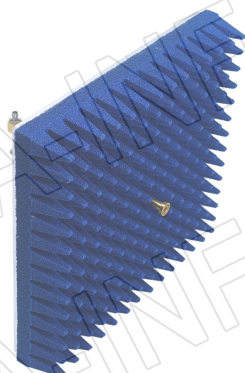
For reference only. See data sheet for the detailed specifications.

Technical Specification

LB-ACH-22-10-T02-C-2.4F



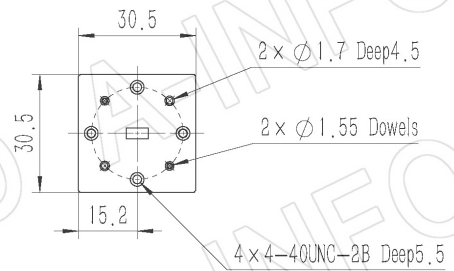
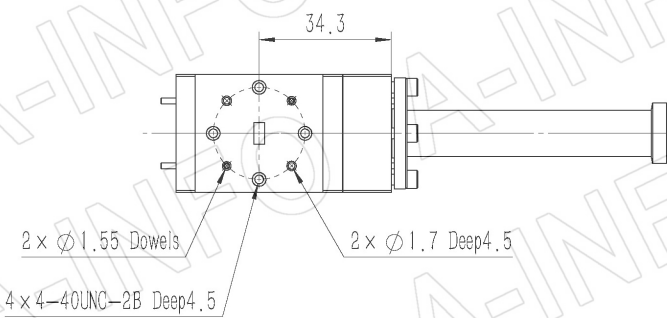
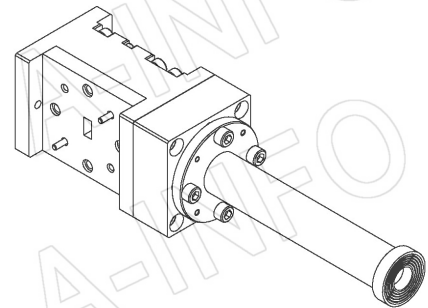
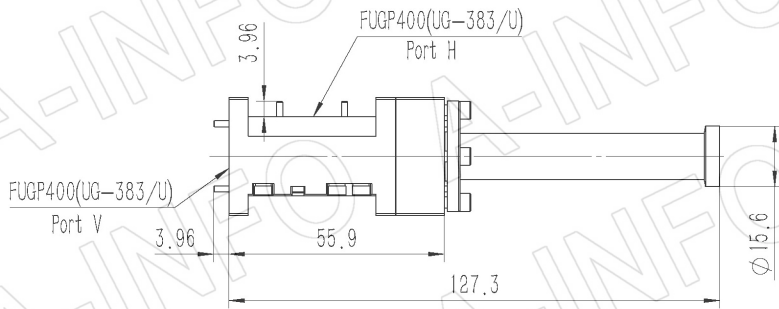
LB-ACH-22-10-T02-C-2.4F-A1



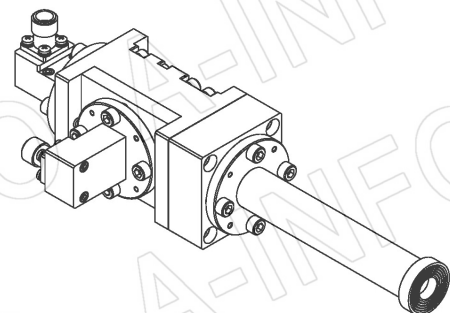
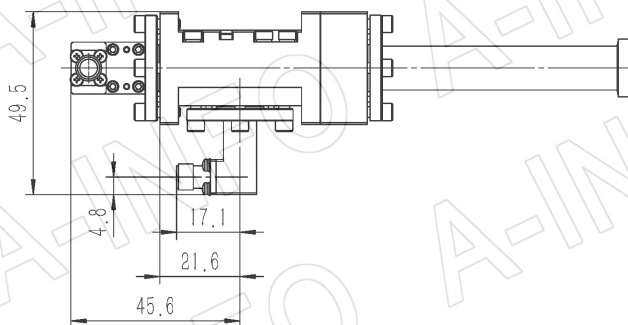
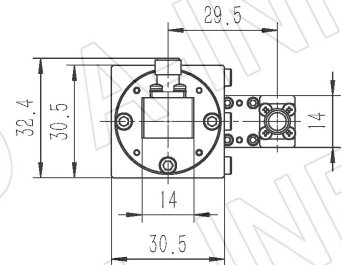
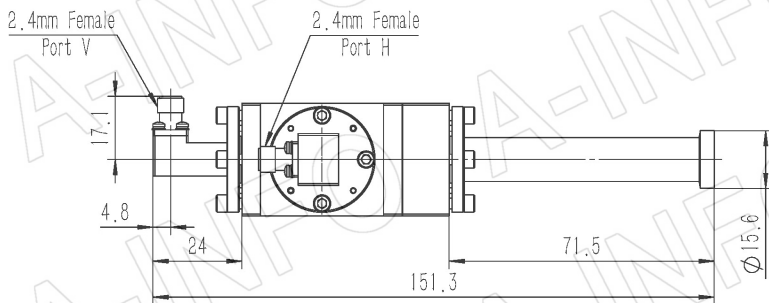
Frequency Range(GHz)	33.0 – 50.0	
Waveguide	WR22	
Gain(dBi)	10 Typ.	
Polarization	Dual Linear	
3dB Beamwidth(deg)	E Plane:	59 Typ.
	H Plane:	61 Typ.
10dB Beamwidth(deg)	E Plane:	106 Typ.
	H Plane:	110 Typ.
Cross Pol. Isolation(dB)	30 Typ.	
Port to Port Isolation(dB)	50 Typ. ; 40 Min.	
VSWR	A Type:	1.40:1 Typ.
	C Type:	1.60:1 Typ.
Output	A Type:	FUGP400(UG-383/U)
	C Type:	2.4mm-Female
Material	Cu	
Finish	Gold Plated	
Size(mm)	A Type:	30.5 x 30.5 x 127.3
	C Type:	49.5 x 32.4 x 151.3
	A-A1:	259 x 259 x 165.4
	C-2.4F-A1:	259 x 259 x 189.4
Net Weight(Kg)	A Type:	0.38 Around
	C Type:	0.47 Around
	A-A1:	1.52 Around
	C-2.4F-A1:	1.60 Around

Outline Drawing (Size: mm)

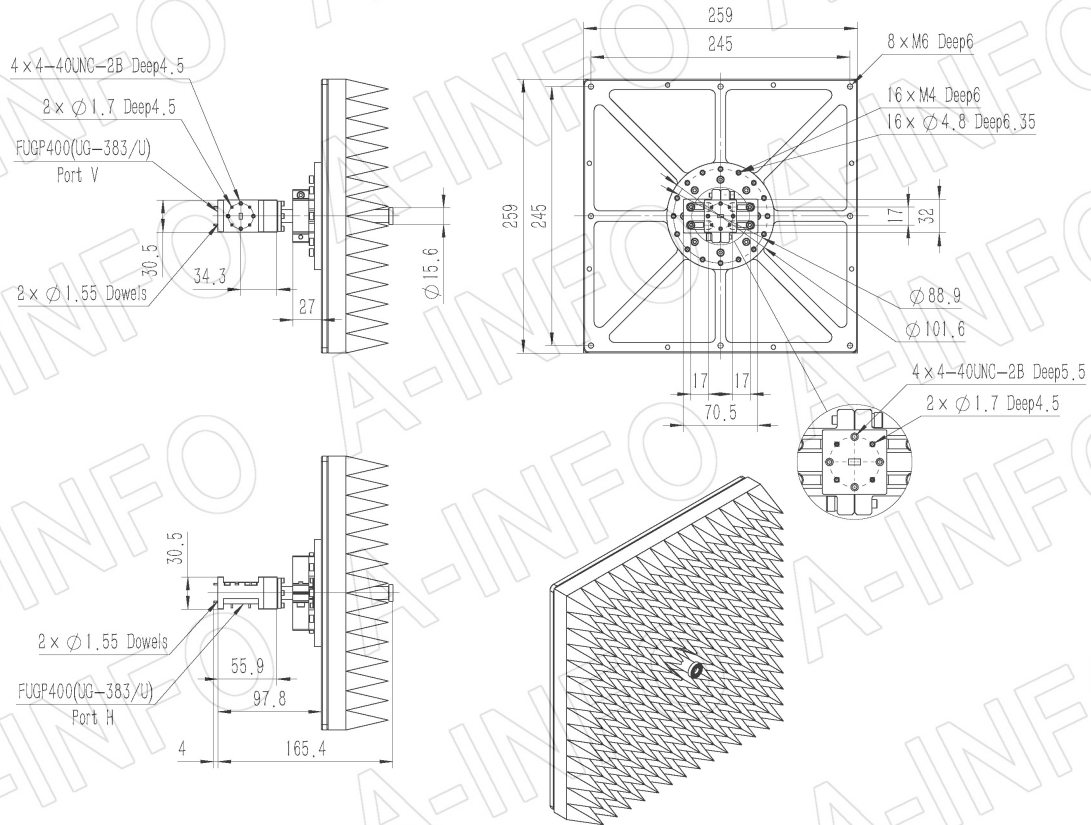
FUGP400 Output (P/N: LB-ACH-22-10-T02-A)



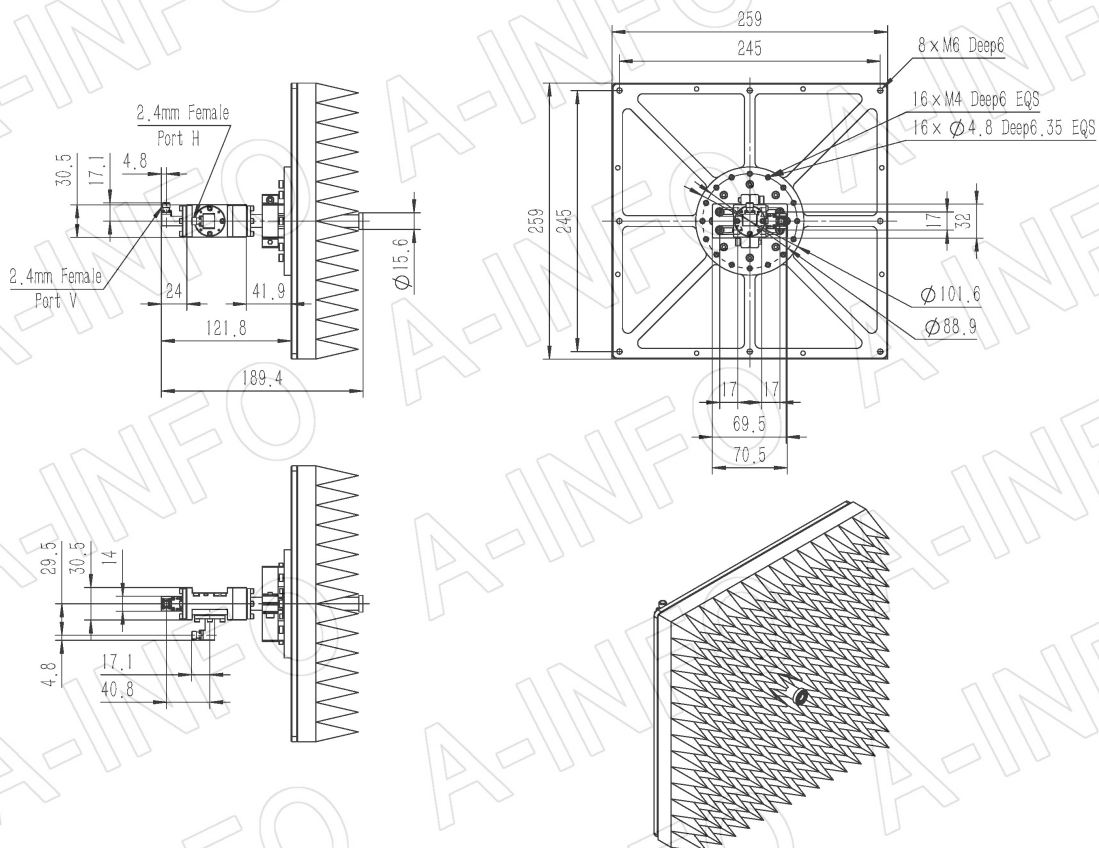
2.4mm-Female Output (P/N: LB-ACH-22-10-T02-C-2.4F)



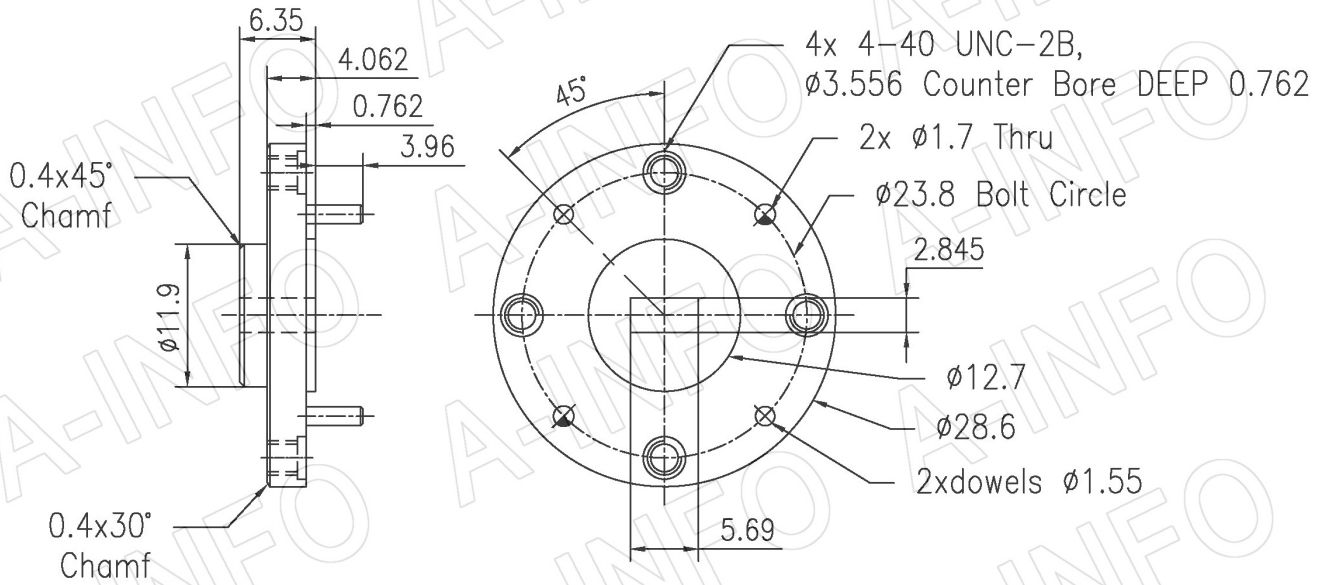
FUGP400 Output, Equipped with Absorber (Option, P/N: LB-ACH-22-10-T02-A-A1)



2.4mm-Female Output, Equipped with Absorber (Option, P/N: LB-ACH-22-10-T02-C-2.4F-A1)



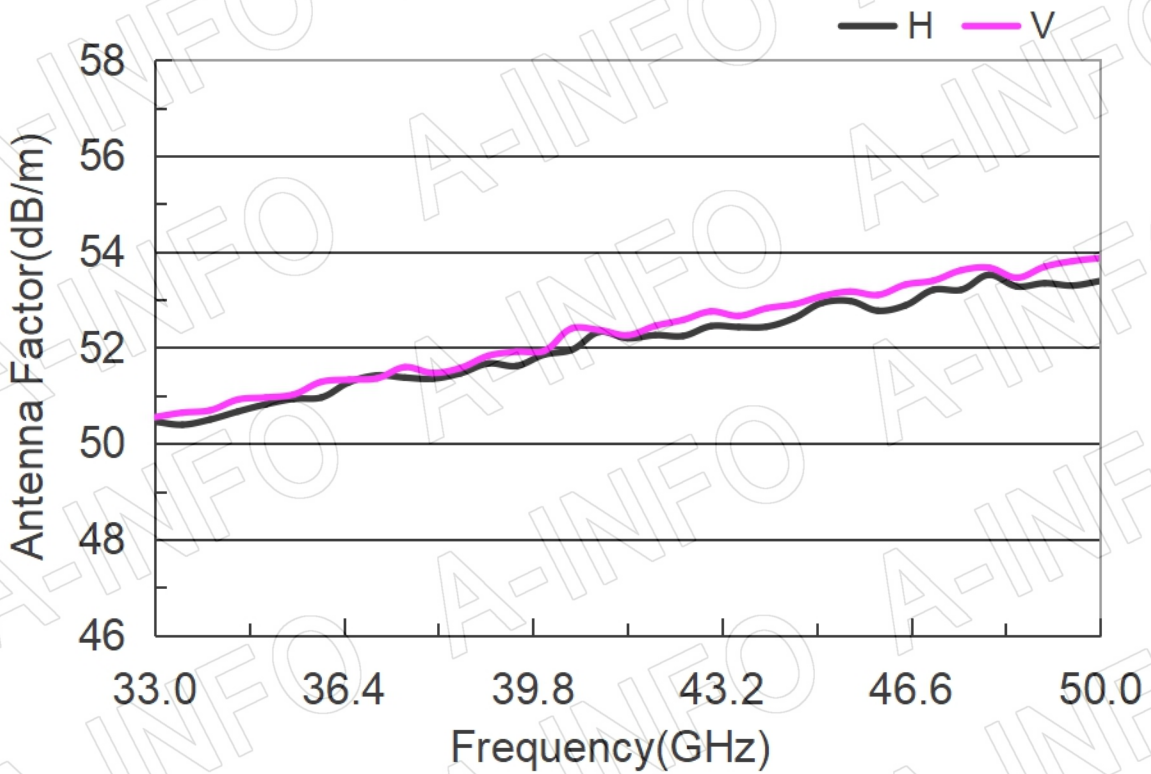
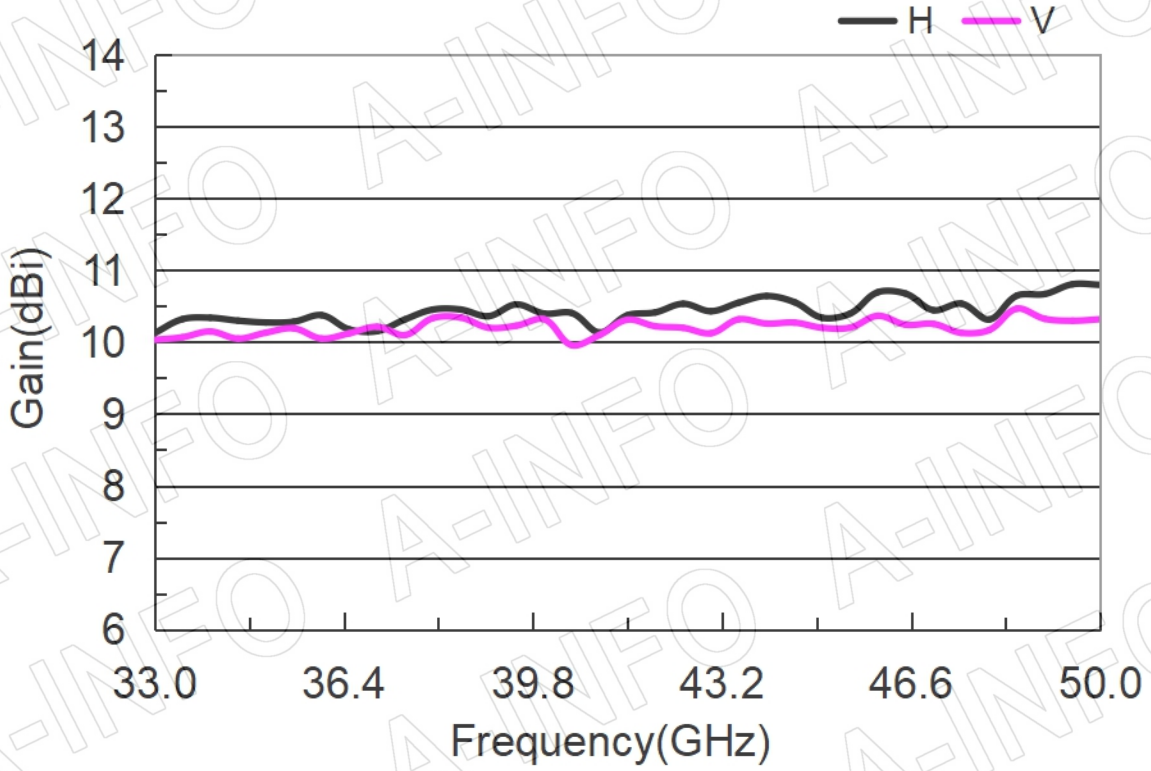
Flange Drawing (Size: mm)



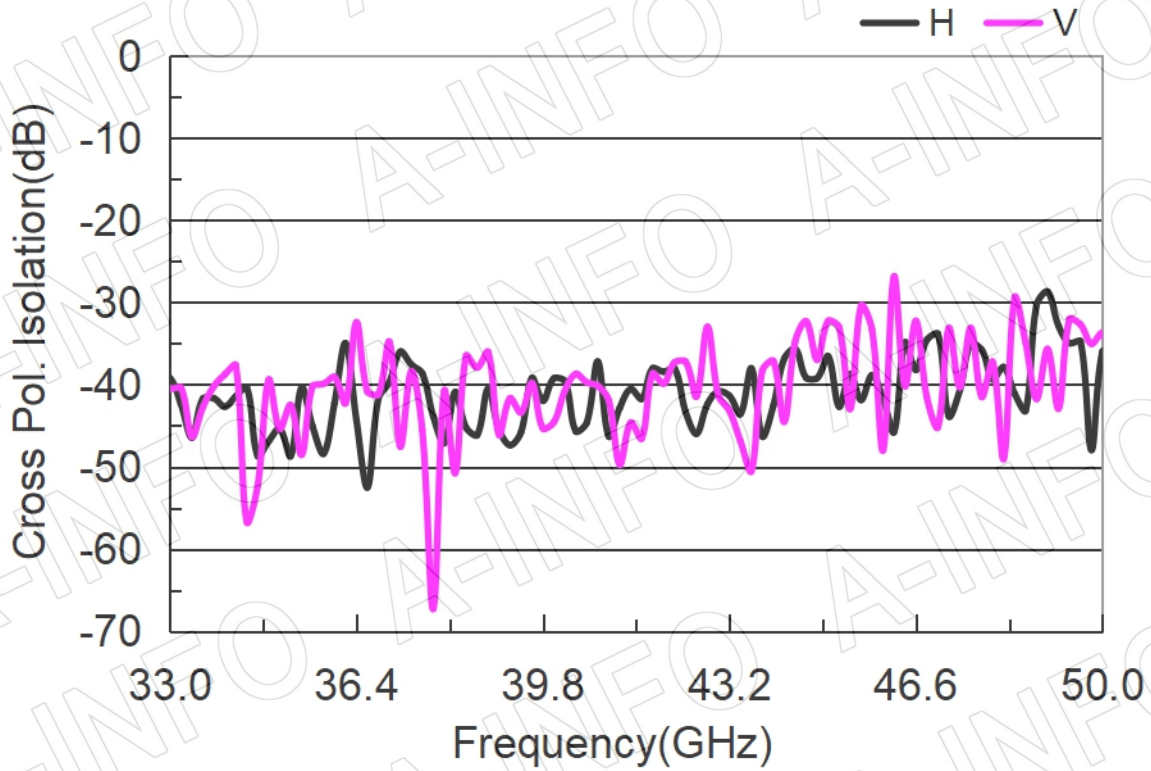
FUGP400
(equivalent to UG-383/U)

Test Results

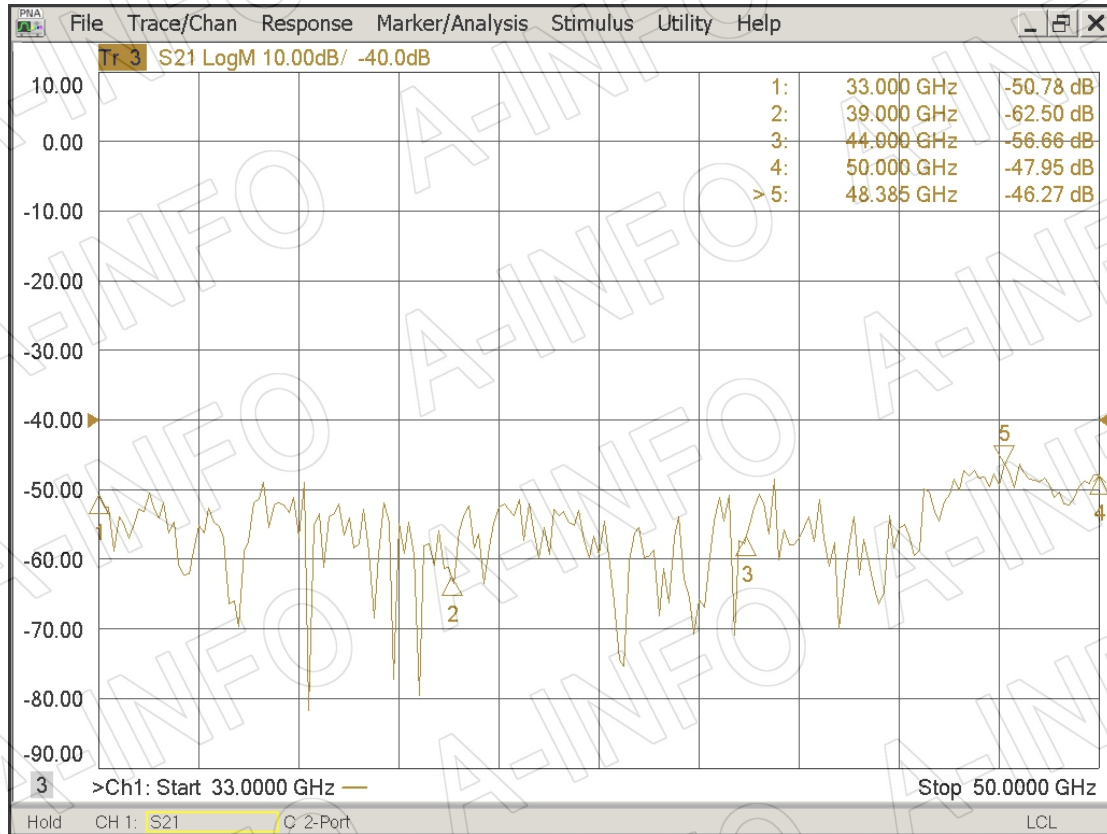
1. Gain & Antenna Factor



2. Cross Polarization Isolation

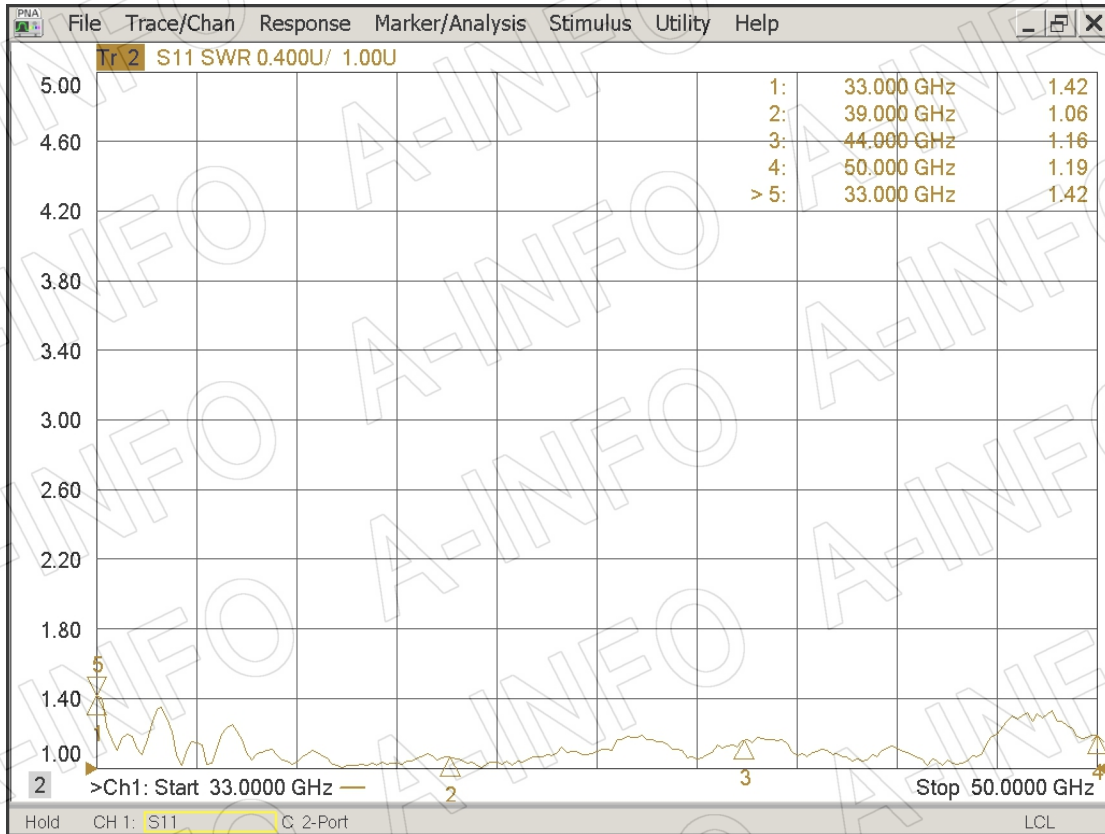


3. Port to Port Isolation

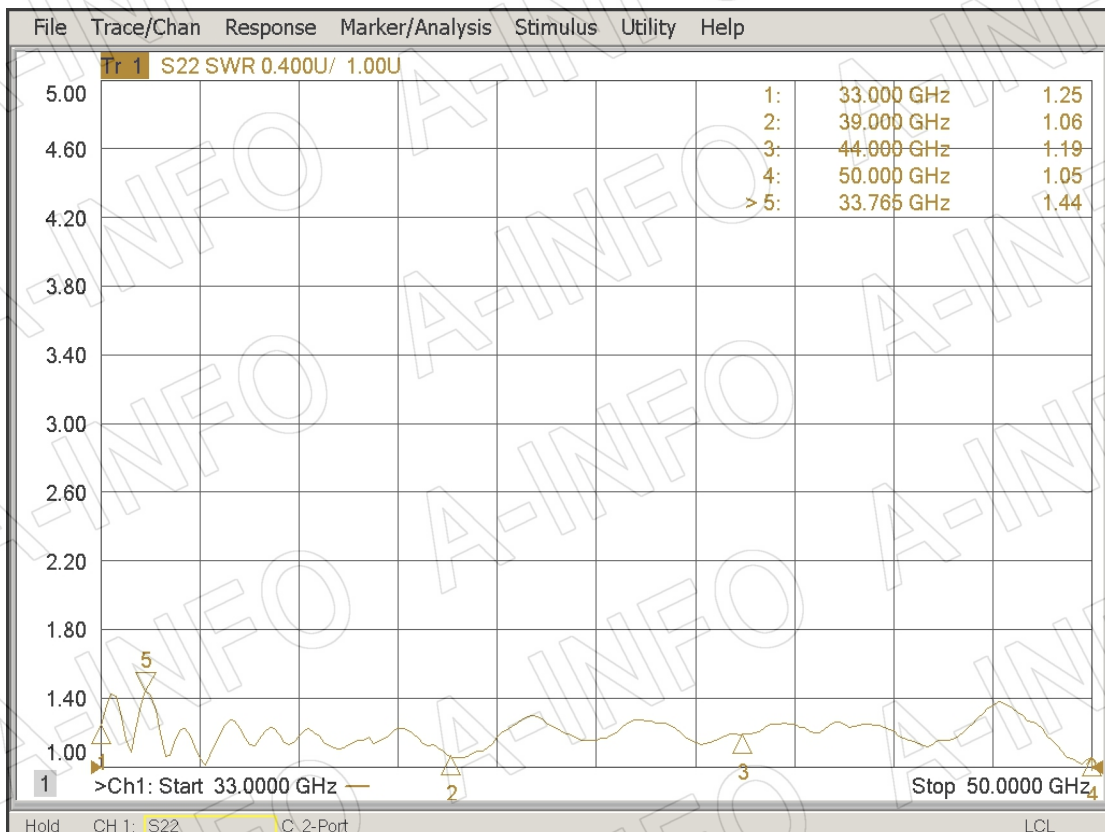


4. VSWR_A Type

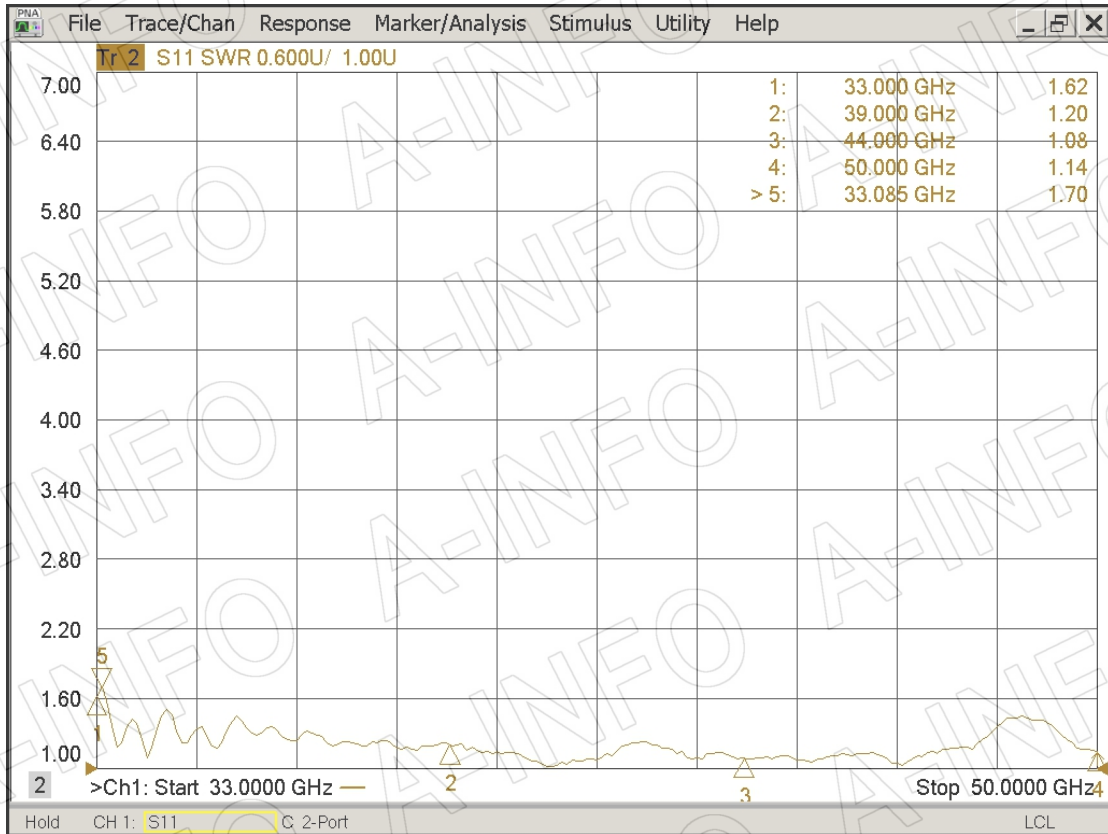
Port-H



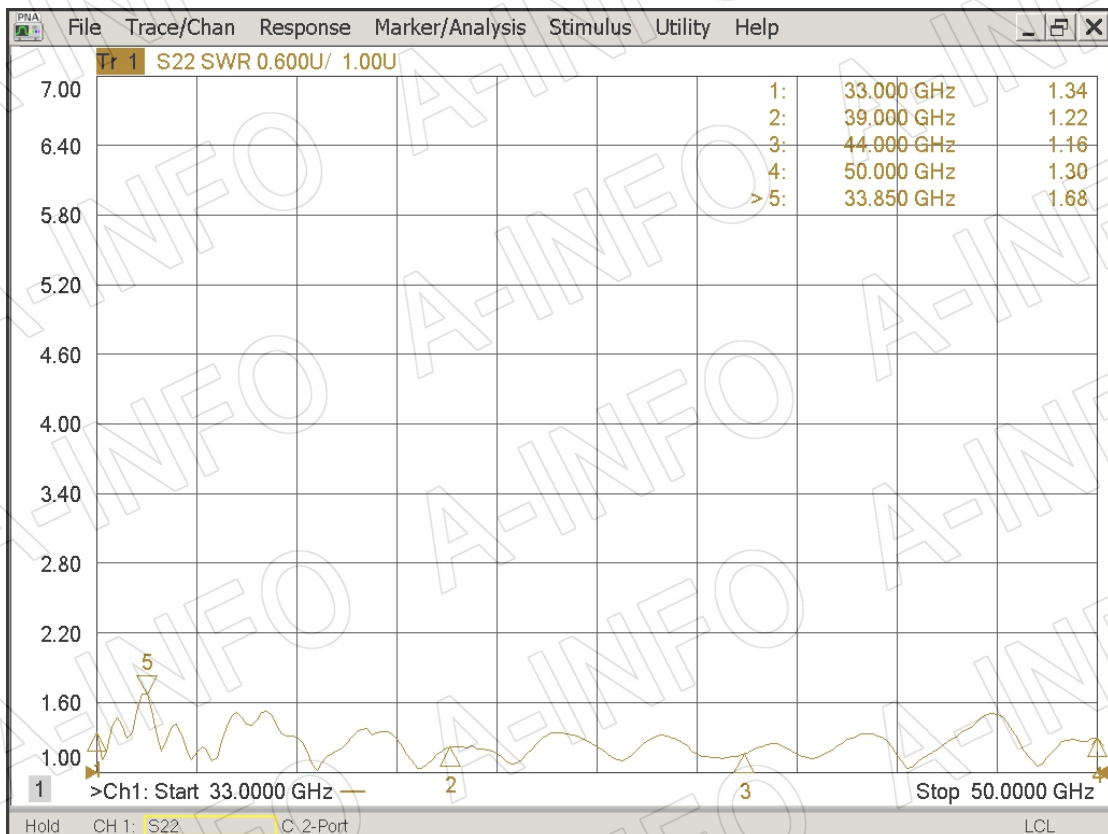
Port-H



VSWR_C Type
Port-H



Port-H



5. Pattern

